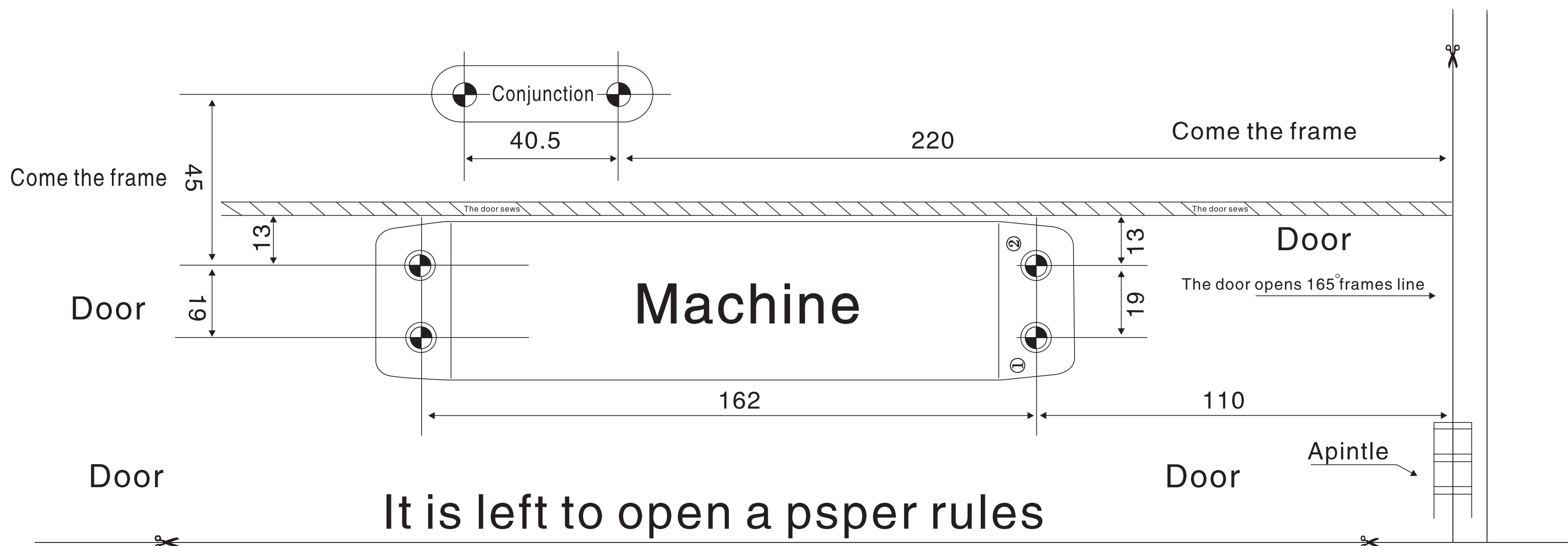
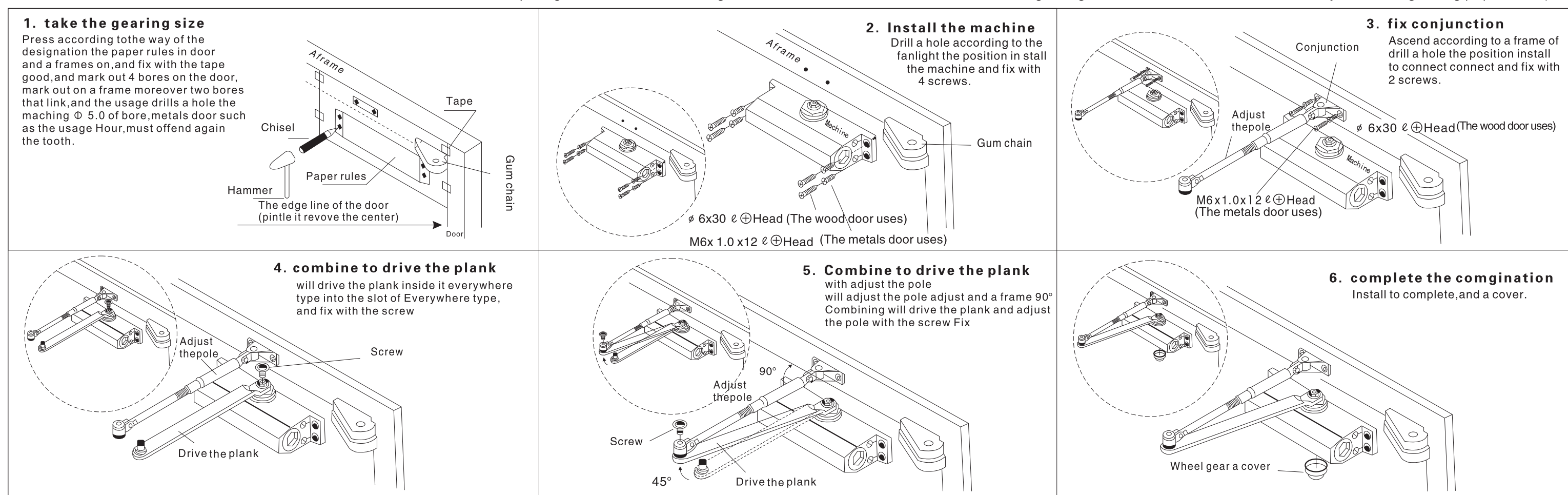


Installation steps diagram (The top diagram a row arithmetic figure installs the size for the standard, shearing along the line the bottom can immediately make the gearing paper rules)



Technology Data&Funcation

- The largest breath of gate: 700-1100mm
- Correct gate weight: 35-60kg
- Correct rate of stop gate: $180^\circ - 20^\circ$
- Correct dynamics of deadlock: $20^\circ - 0^\circ$
- Spray plastic cement&rocker arm, guard against corruption.
- Precise seal of fuel tank, forestall oil leak out.
- High quality cast of aluminium alloy fuselage, three folds shing paint, guard against oxidize.
- Two hydraulic pressure mech, they control two stop gate and control the rate of deadlock also control hydraulic pressure.
- High carbon steel gear whells, high car bonsteel racks, treat by high frequency become deformed smaller nimble function.

The fixed position type closes door the machine installs the announcements

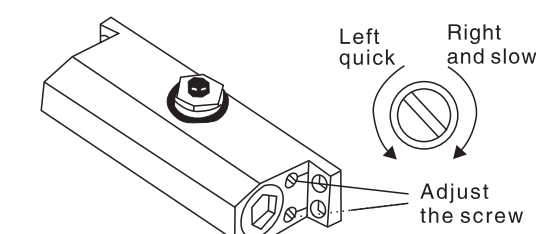
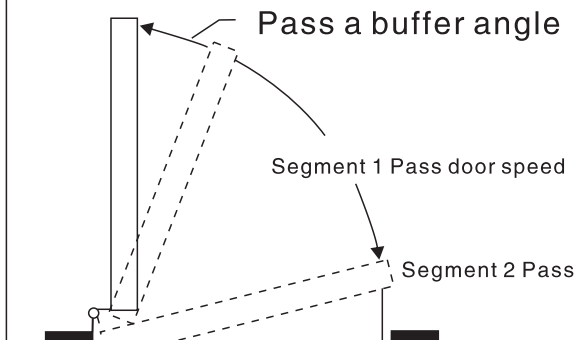
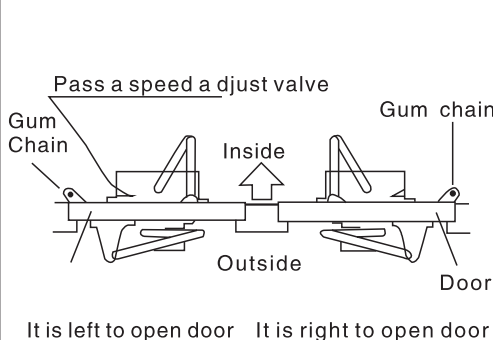
- 1, before installing, cannot close door the stalk of The stalk of the wheel gear over 180° degree, otherwise, will damage the machine.
- 2, use to shake the arm adjust to try the wheel gear, be to turn 180° degree, the wheel gear will be placed in the ceasing appearance, should on time reply originally position, the in order to prevent adjust again while trying, but the wreath of Break closes door the machine.
- 3, Close door the tool have the auto close function, strictlyly forbid by hand the habit pulls door.

The decision opens the direction of the door

Pass a speed adjust valve

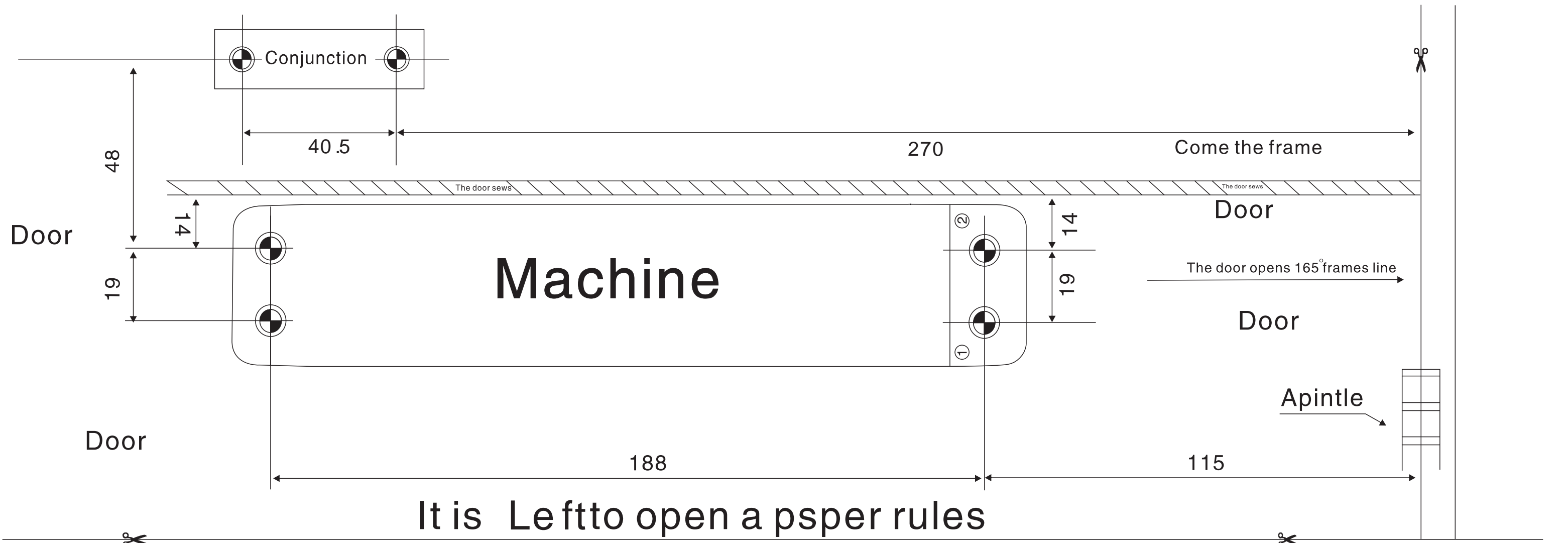
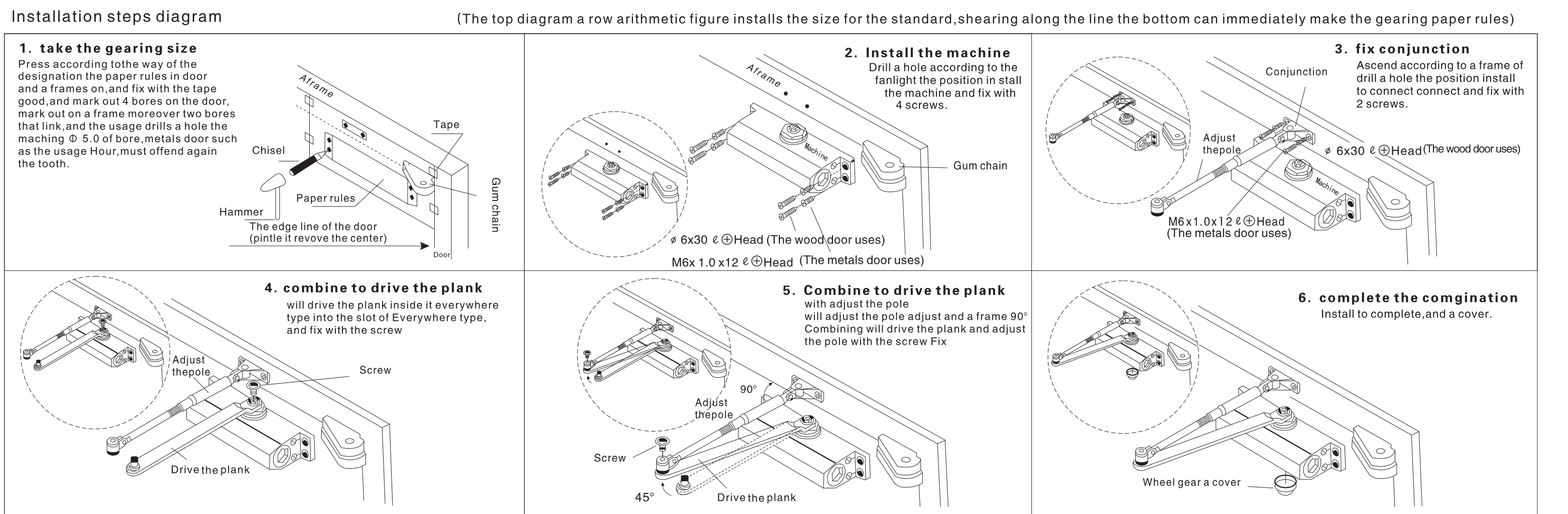
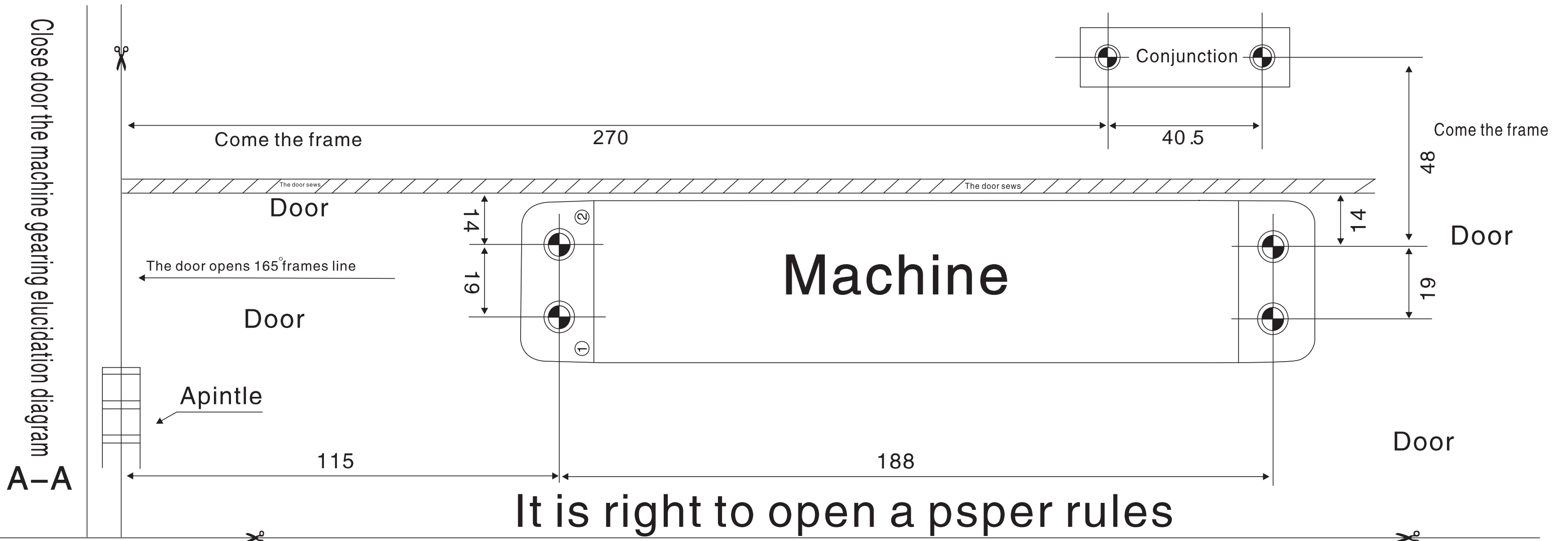
This bow machine applies any right open door or left open door, please be instructed to decide according to the next diagram before gearing its open a direction.

The 1 adjusts soon screw control a pass a speed, The 2s adjust soon screw control a pass a speed. Its adjustment method is slow for clockwise, hour of The needle direction is then quick.



Announcements:

Adjust soon the cannot Turn in screw outs the machine flat surface, close door the machine otherwise will leak the oil namely, again can't positive often work.



<p>Technology Data&Funcation</p> <ul style="list-style-type: none"> • The largest breath of gate: 900-1200mm • Correct gate weight : 45- 75kg • Correct rate of stop gate: 180°-20° • Correct dynamics of deadlock: 20°-0° • Spray plastic cement&rocker arm, guard against corruption. • Precise seal of fuel tank, forestall oil leak out. • High quality cast of aluminium alloy fuselage, three folds shing paint, guard against oxidize. • Two hydraulic pressure mech, they control two stop gate and control the rate of deadlock also control hydraulic pressure. • High carbon steel gear whells, high car bonsteel racks, treat by high frequency become deformed smaller nimble function. 	<p>The fixed position type closes door the machine installs the announcements</p> <ol style="list-style-type: none"> 1, before installing, cannot close door the stalk of The stalk of the wheel gear over 180 degree, otherwise, will damage the machine. 2, use to shake the arm adjust to try the wheel gear, be to turn 180 degree, the wheel gear will be placed in the ceasing appearance, should on time reply originally position, the in order to prevent adjust again while trying, but the wreath of Break closes door the machine. 3, Close door the tool have the auto close function, strictlyly forbid by hand the habit pulls door. <p>The decision opens the direction of the door Pass a speed adjust valve</p> <p>This bow machine applies any right open door or left open door, please be instructed to decide according to the next diagram before gearing its open a direction.</p> <p>The 1 adjusts soon screw control a pass a speed, The 2s adjust soon screw control a pass a speed. Its adjustment method is slow for clockwise, hour of The needle direction is then quick.</p> <p>Announcements: Adjust soon the cannot Turn in screw outs the machine flat surface, close door the machine otherwise will leak the oil namely, again can't positive often work.</p>
--	---